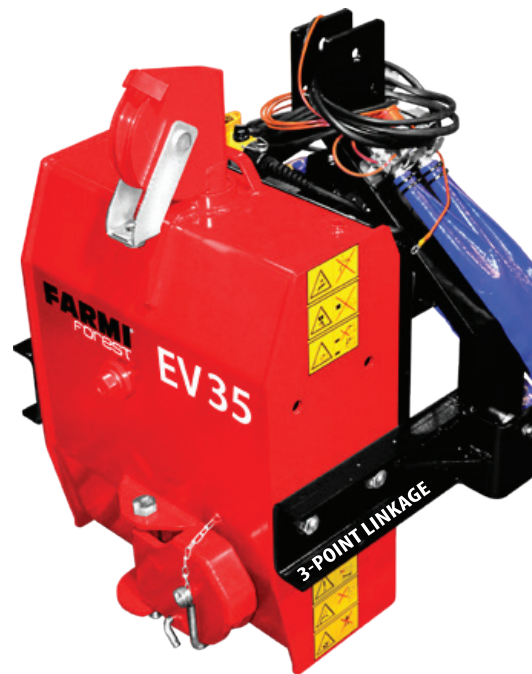


FARMMI® FOREST

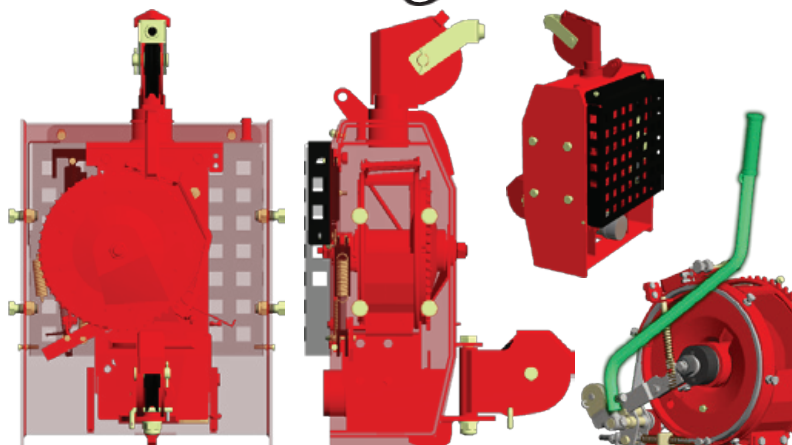
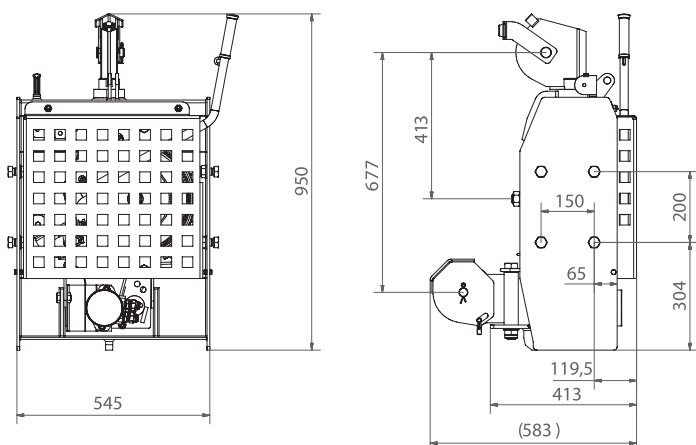
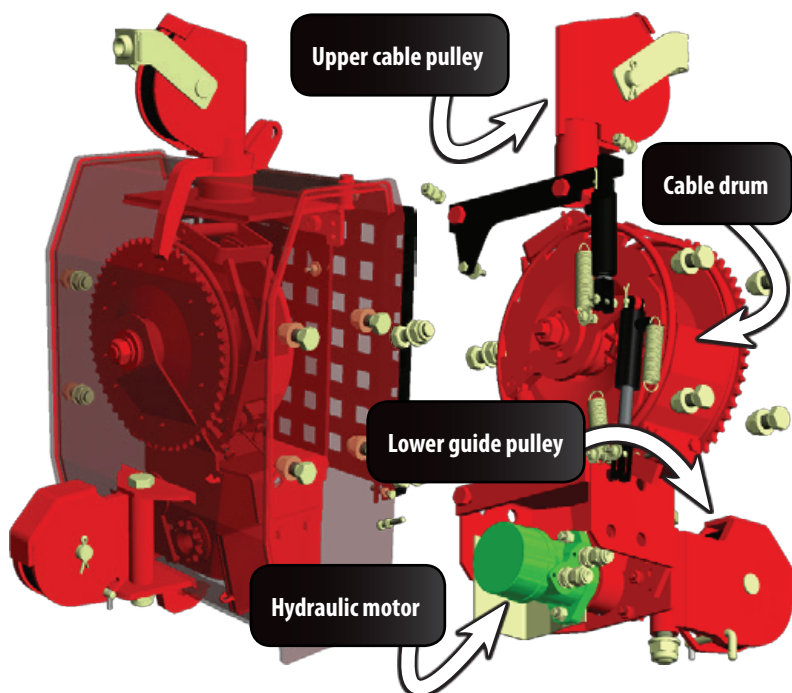
Smart Choices - Since 1962

FARMMI EV35R Hydraulic Winch



FARMMI EV35R hydraulic winch is a handy tool and can be used with all kind of vehicles where there are hydraulic power available. EV35R winch is often assembled on to the front of agriculture or forest tractor and it's used as a multi-purpose winch for all kind of work. This winch can as well be mounted on other kind of construction machines and vehicles like on skid steers, excavators, trucks etc. A special frame is available as an accessory for assembling the winch to the 3-point linkage of a tractor (front or rear). The standard model can be operated by a rope, but there's also available a hydraulically operated model.

TECHNICAL SPECIFICATIONS	FARMMI EV 35
Max. line pull with empty drum	35 kN
Min. line pull with full drum	13 kN
Cable capacity (1,96 kN/mm ²)	60 m, Ø 10 mm
Winching speed with 160 cc hydraulic motor	0,41 - 1,02 m/s
Weight (without cable)	160 kg
Clutch	Mechanical friction plate clutch with heat sink
Power transmission	Hydraulic motor (HOF)
Mounting	Front of the tractor / three-point hitch
Maximum working pressure	170 bar
Recommended pump capacity	40-60 l/min
Brake	Ratchet brake



FARMMI FOREST OY
Tel. +358 17 832 4400

Ahmolantie 6, FIN-74510 Iisalmi, Finland
Email: info@farmiforest.fi